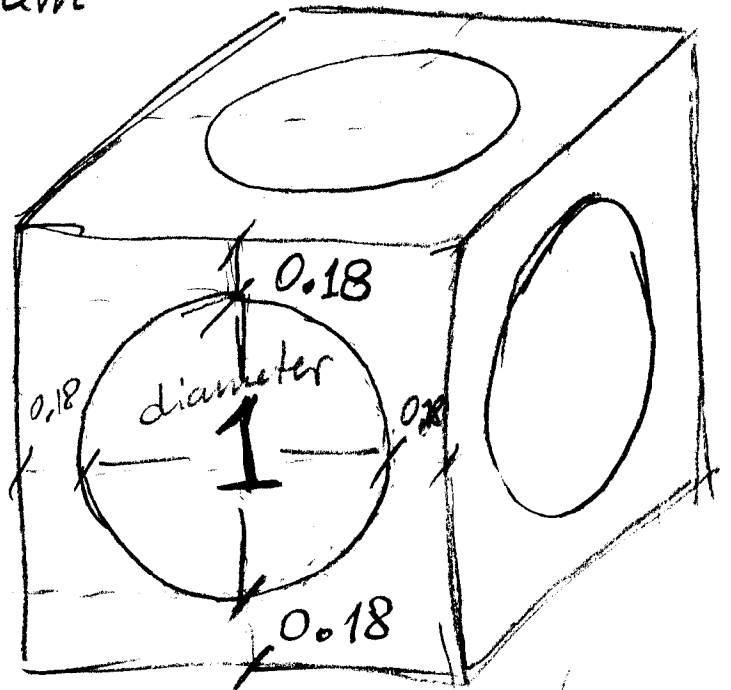
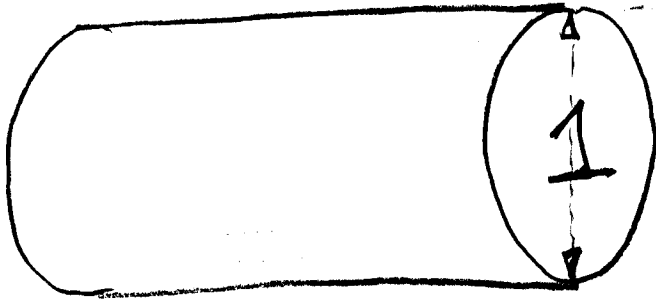


To make a model you will need a cylinder and a cube. For example

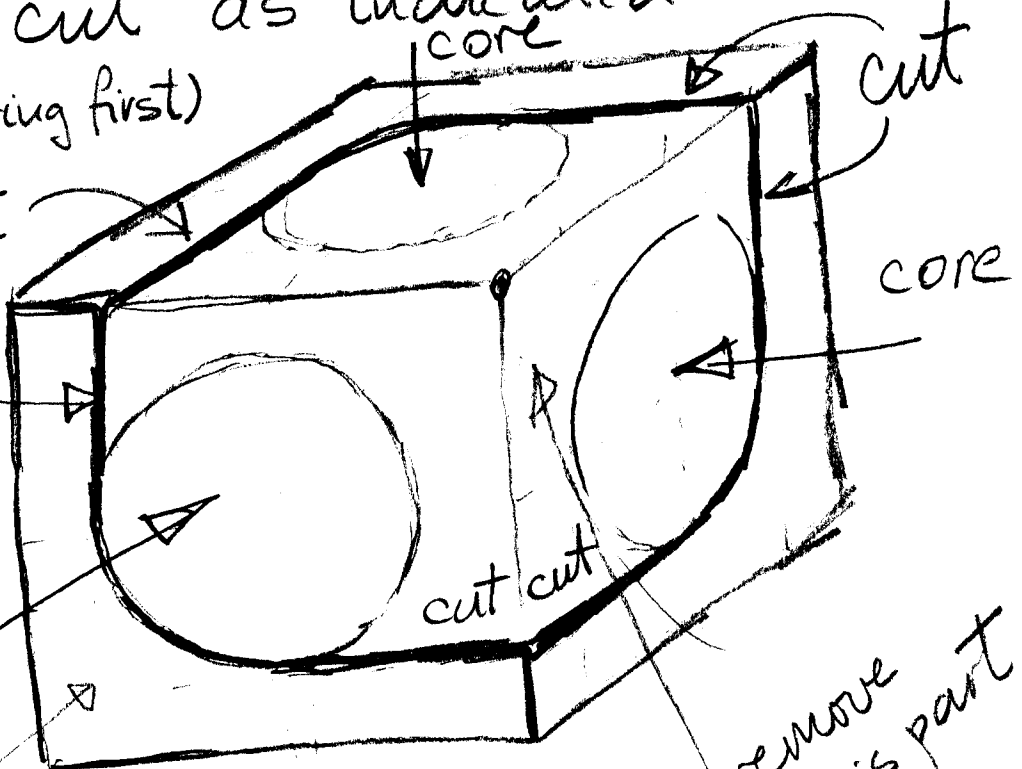
cylinder
apple corer
thin sharpened pipe
drill

cube
apple, potato
styrofoam
wood



Core and cut as indicated below

(do coring first)



Hint: If you are working with a soft cube, then after coring, replace the cored part back into the cube to support next coring.

Skyriewing Sculpture